



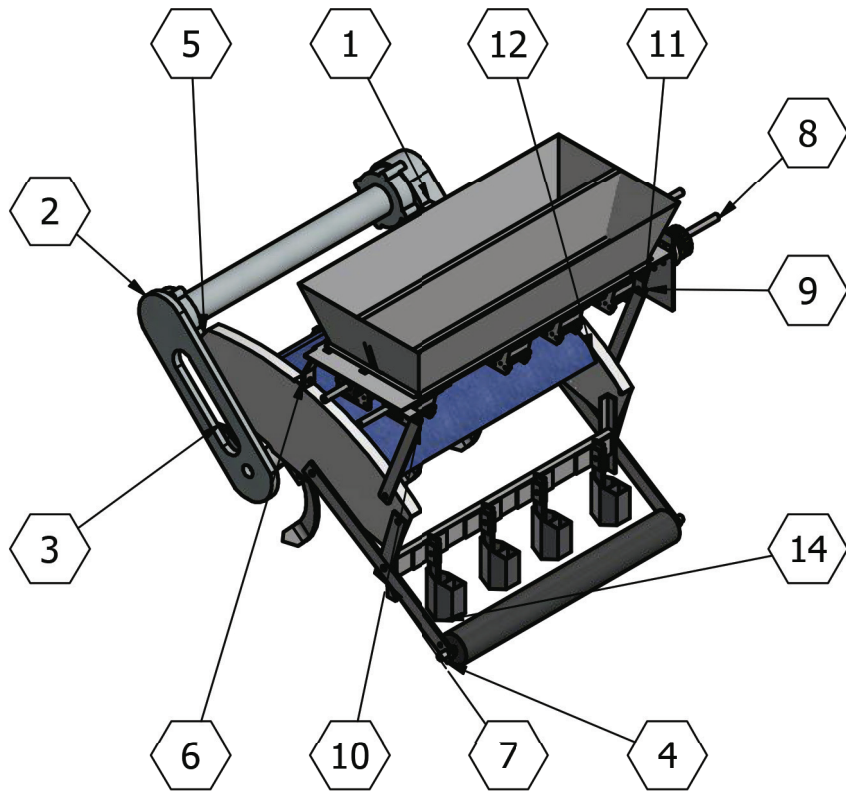
**FABRICATION DRAWINGS OF A TWO-WHEEL  
TRACTOR OPERATED FOUR-ROW STRIP TILLAGE  
WHEAT SEEDER FROM A CONVENTIONAL ROTOVATOR'**

AUGUST 2019



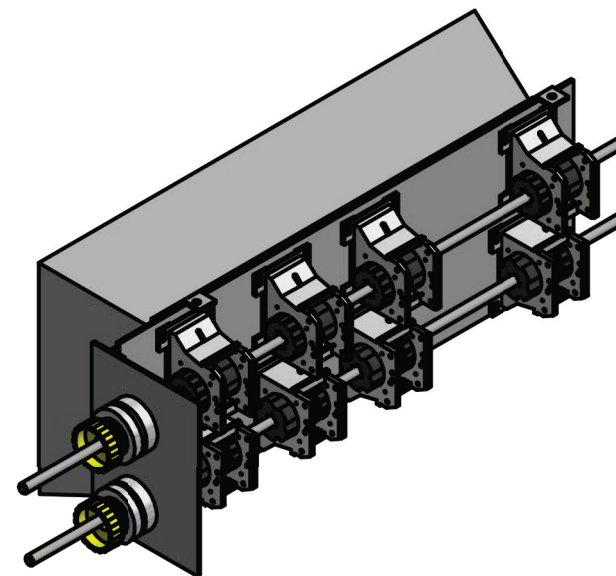
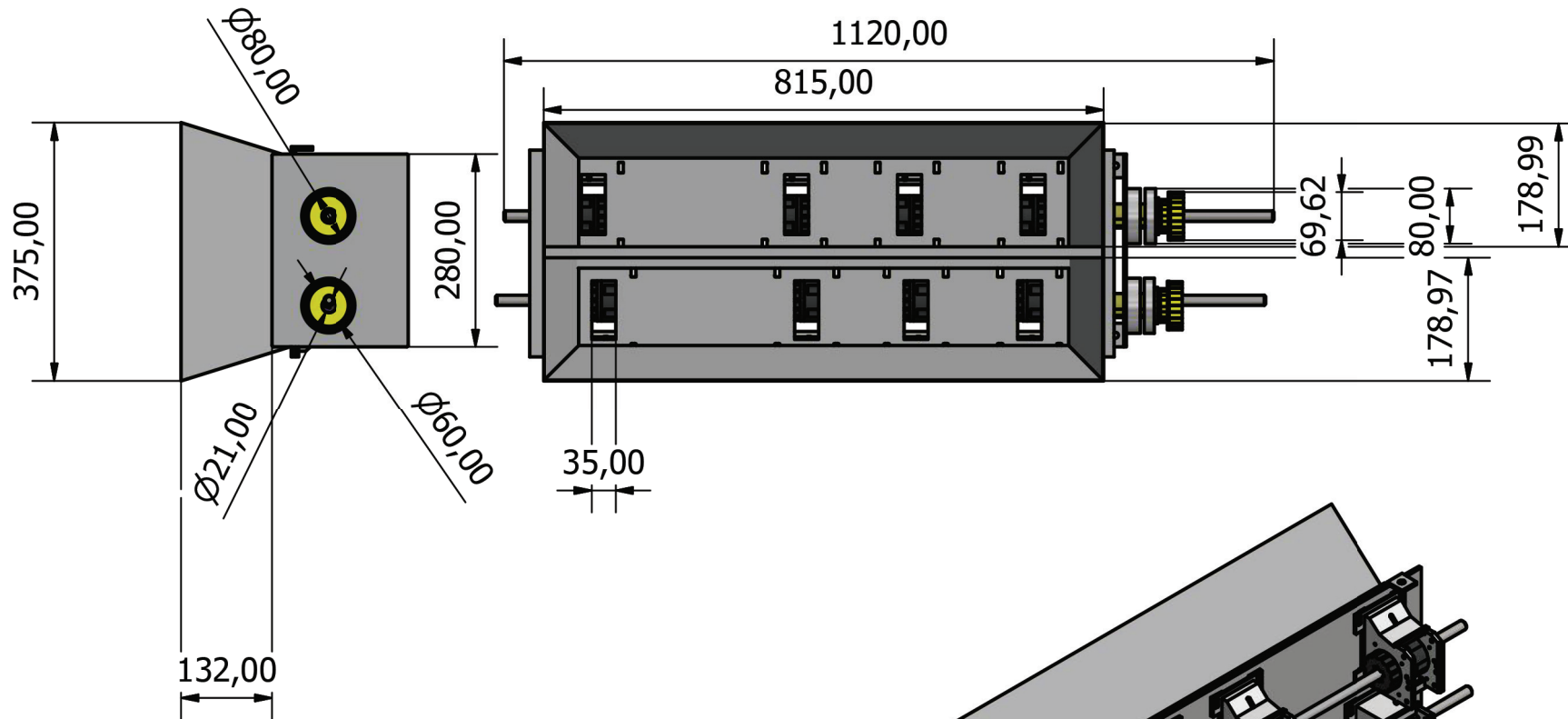
## **ACKNOWLEDGEMENT**

This manual was produced by the **Ethiopian Institute of Agricultural Research (EIAR)** and **The International Maize And Wheat Improvement Center (Cimmyt)** through the generous support of the **Australian Centre for International Agricultural Research (ACIAR)** and the **German Society for International Cooperation (GIZ)**. Any opinions, findings, conclusion, or recommendations expressed in this publication are those of the authors and do not necessarily reflect the view of ACIAR and GIZ.



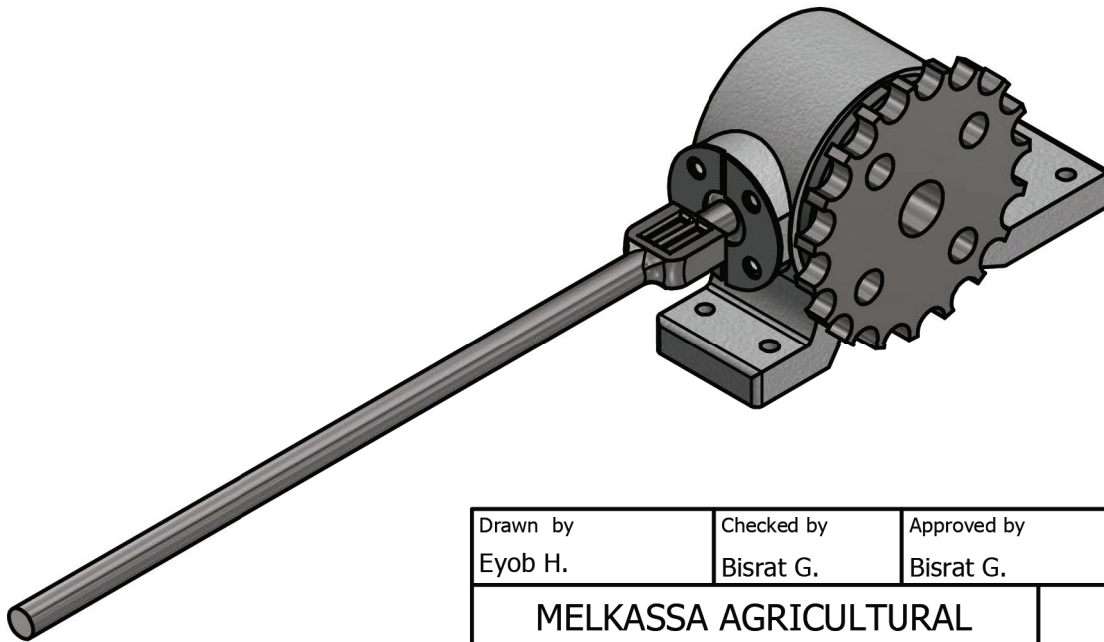
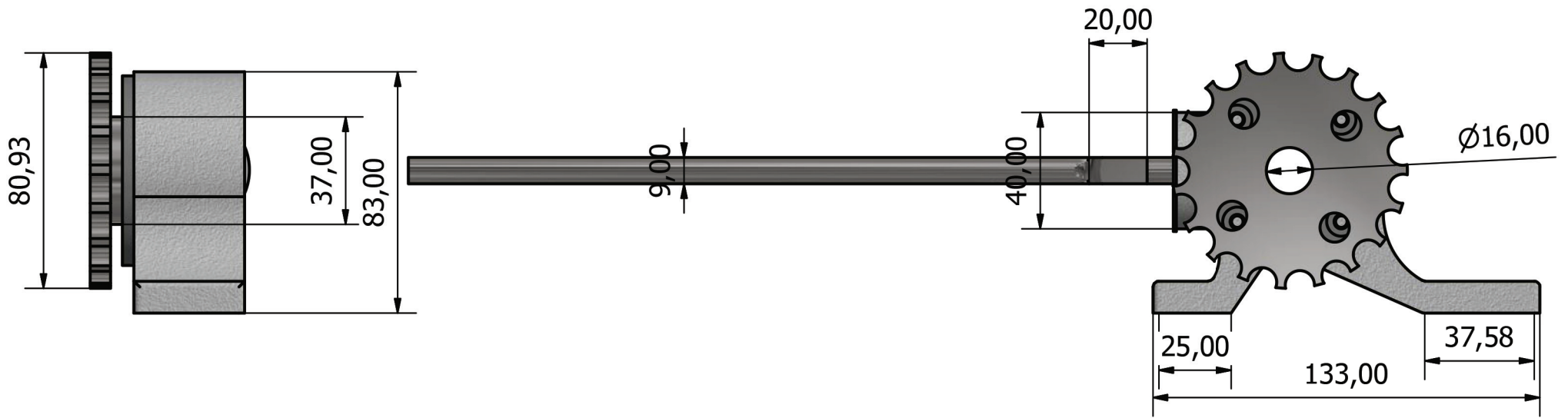
PARTS LIST			
ITEM	QTY	PART NUMBER	DESCRIPTION
1	1	side of the tiller	mild steel
2	1	driving assembly	mild steel
3	1	blade assembly	mild steel
4	1	compactor	mild steel
5	1	side of the tiller_MIR1	mild steel
6	2	hooper support	mild steel
7	2	compactor support	mild steel
8	1	hopper	mild steel
9	2	hopper support 2	mild steel
10	1	support.angle iron	mild steel
11	1	hopper supp	mild steel
12	1	cover tiller	mild steel
13	1	Tire_tractor	rubber
14	1	furrowopener assembly	mild steel

Drawn by Eyob H.	Checked by Bisrat G.	Approved by Bisrat G.	Date Dec,2018
MELKASSA AGRICULTURAL ENGINEERING RESEARCH DIRECTORATE		Two wheel tractor driven wheat planter	
		01	Edition Sheet 1/8

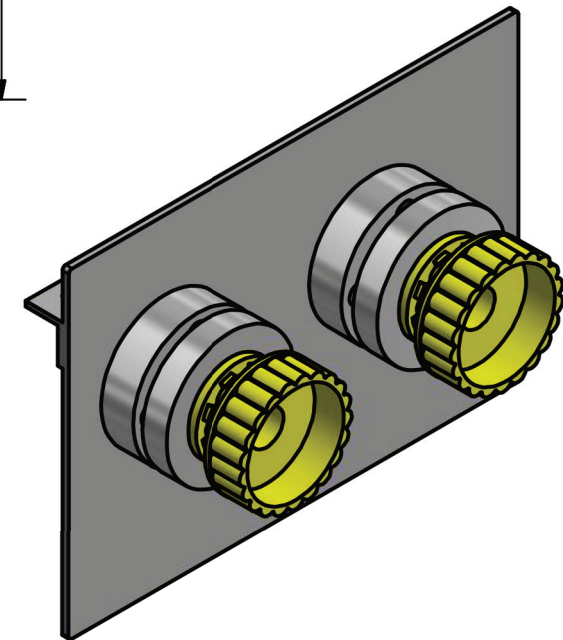
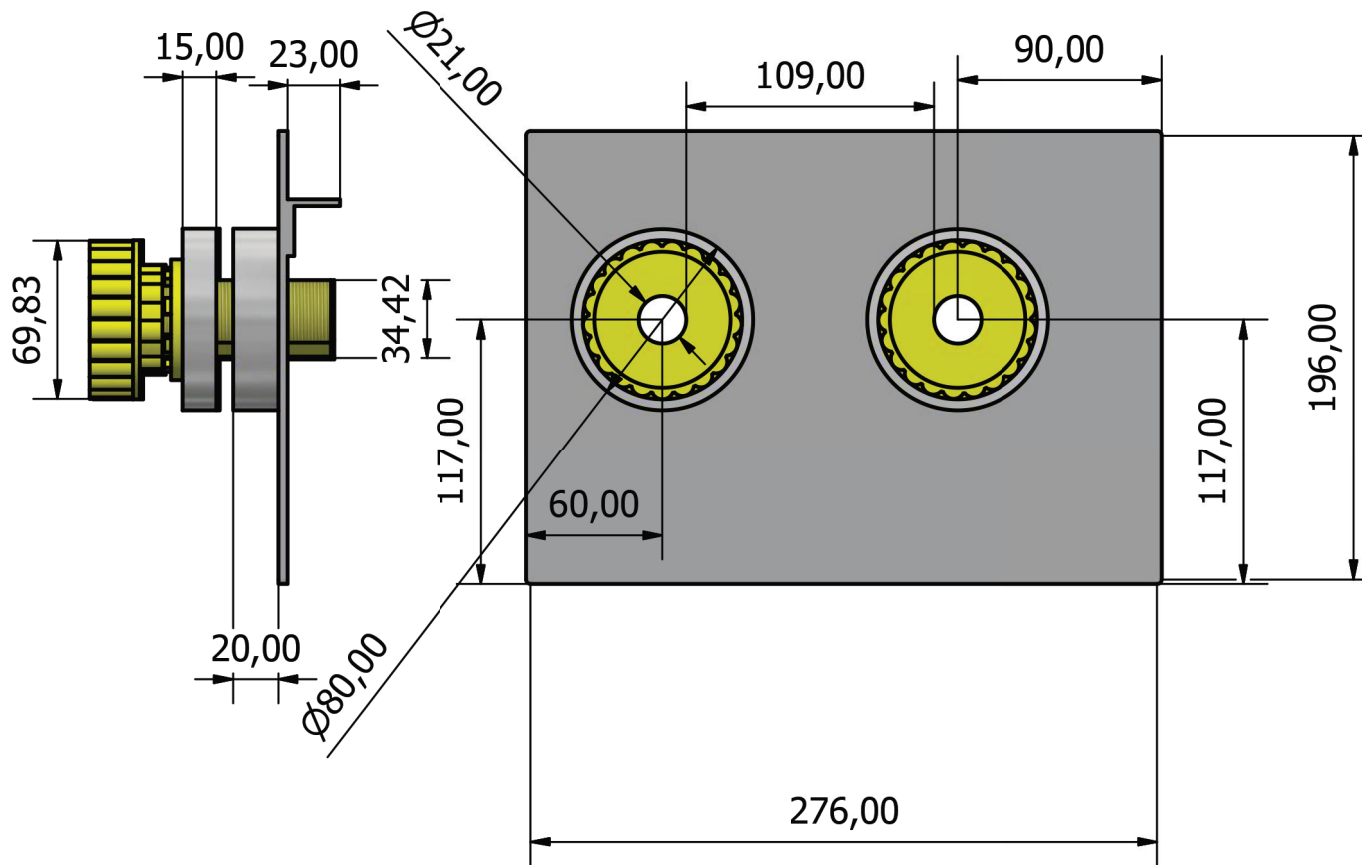


Drawn by Eyob H.	Checked by Bisrat G.	Approved by Bisrat G.	Date Dec,2018	
MELKASSA AGRICULTURAL ENGINEERING RESEARCH DIRECTORATE		Hopper		
		02	Edition	Sheet 2/8

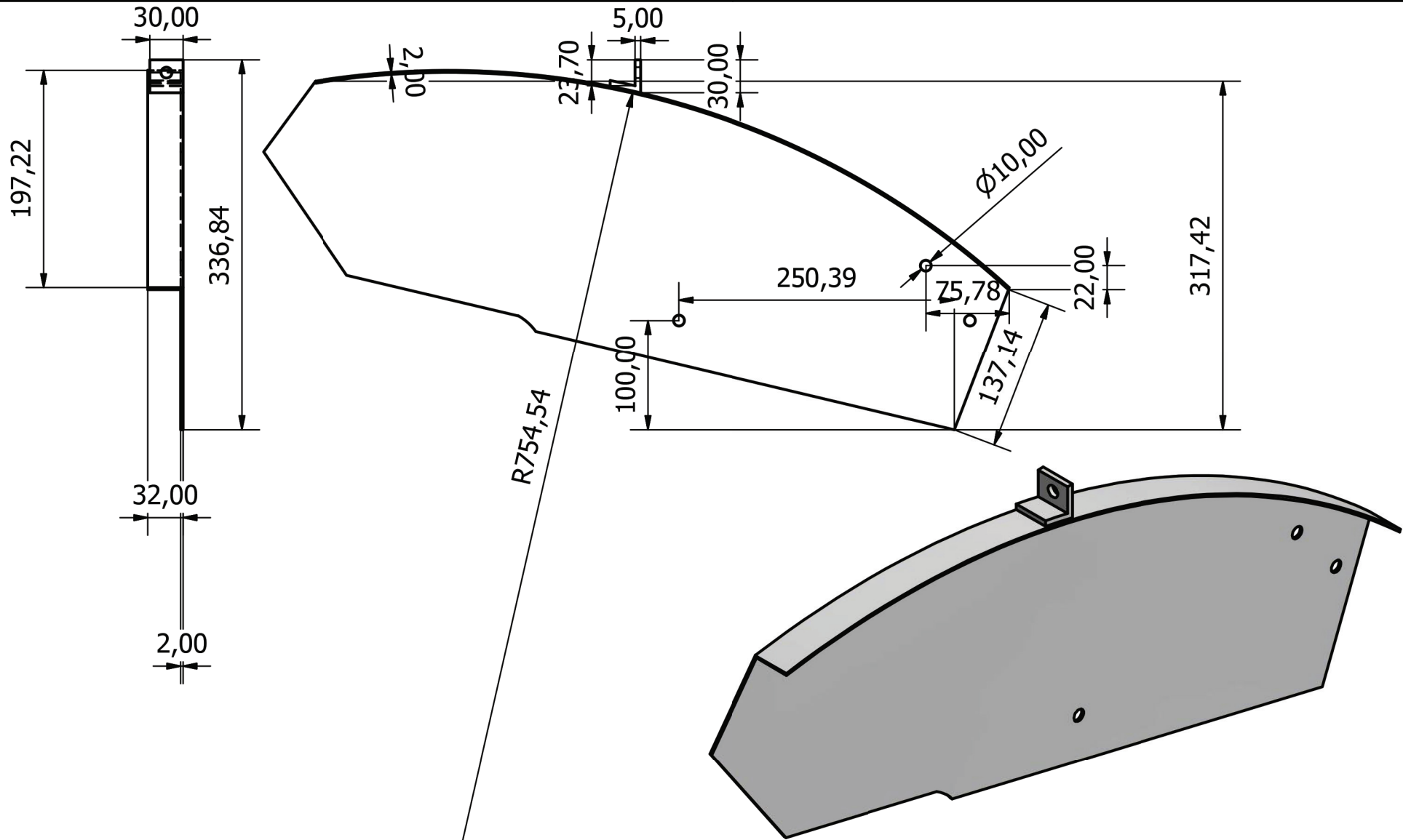




Drawn by Eyob H.	Checked by Bisrat G.	Approved by Bisrat G.	Date Dec,2018	
MELKASSA AGRICULTURAL ENGINEERING RESEARCH DIRECTORATE		Clutch		
		03	Edition	Sheet 3/8

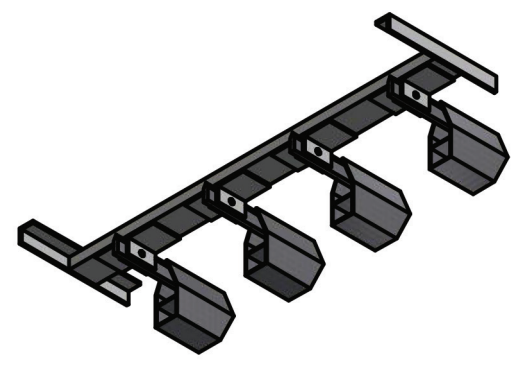
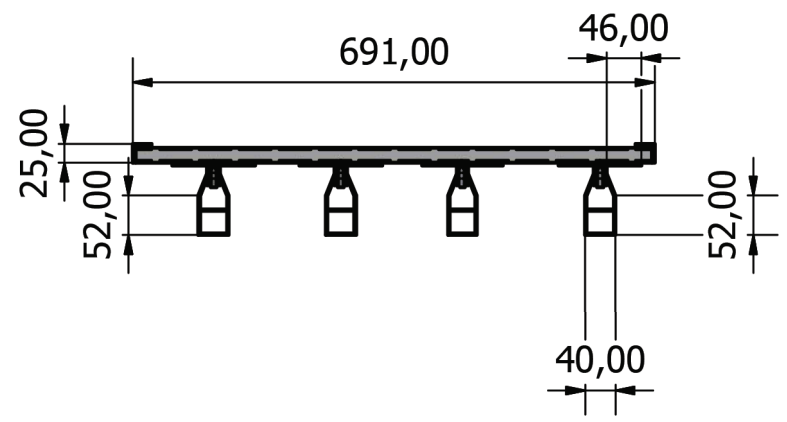
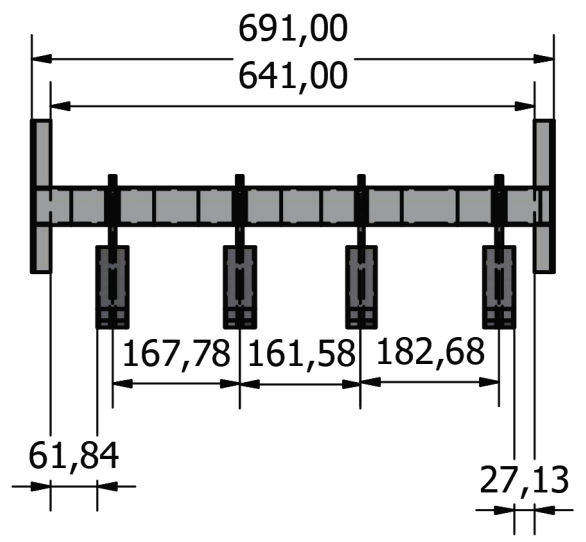


Drawn by Eyob H.	Checked by Bisrat G.	Approved by Bisrat G.	Date Dec,2018
MELKASSA AGRICULTURAL ENGINEERING RESEARCH DIRECTORATE		side plate	
		04	Edition Sheet 4/8

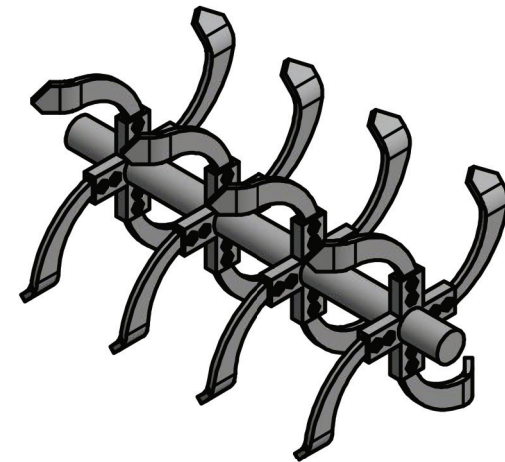
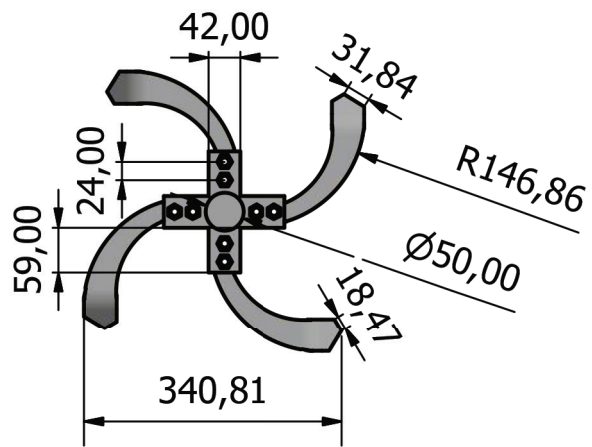
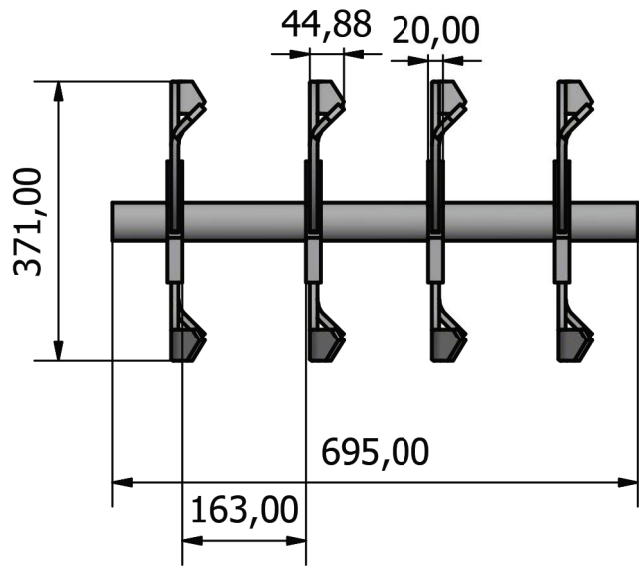


Drawn by Eyob H.	Checked by Bisrat G.	Approved by Bisrat G.	Date Dec,2018
MELKASSA AGRICULTURAL ENGINEERING RESEARCH DIRECTORATE		Side of the Tiller	
		05	Edition Sheet 5/8

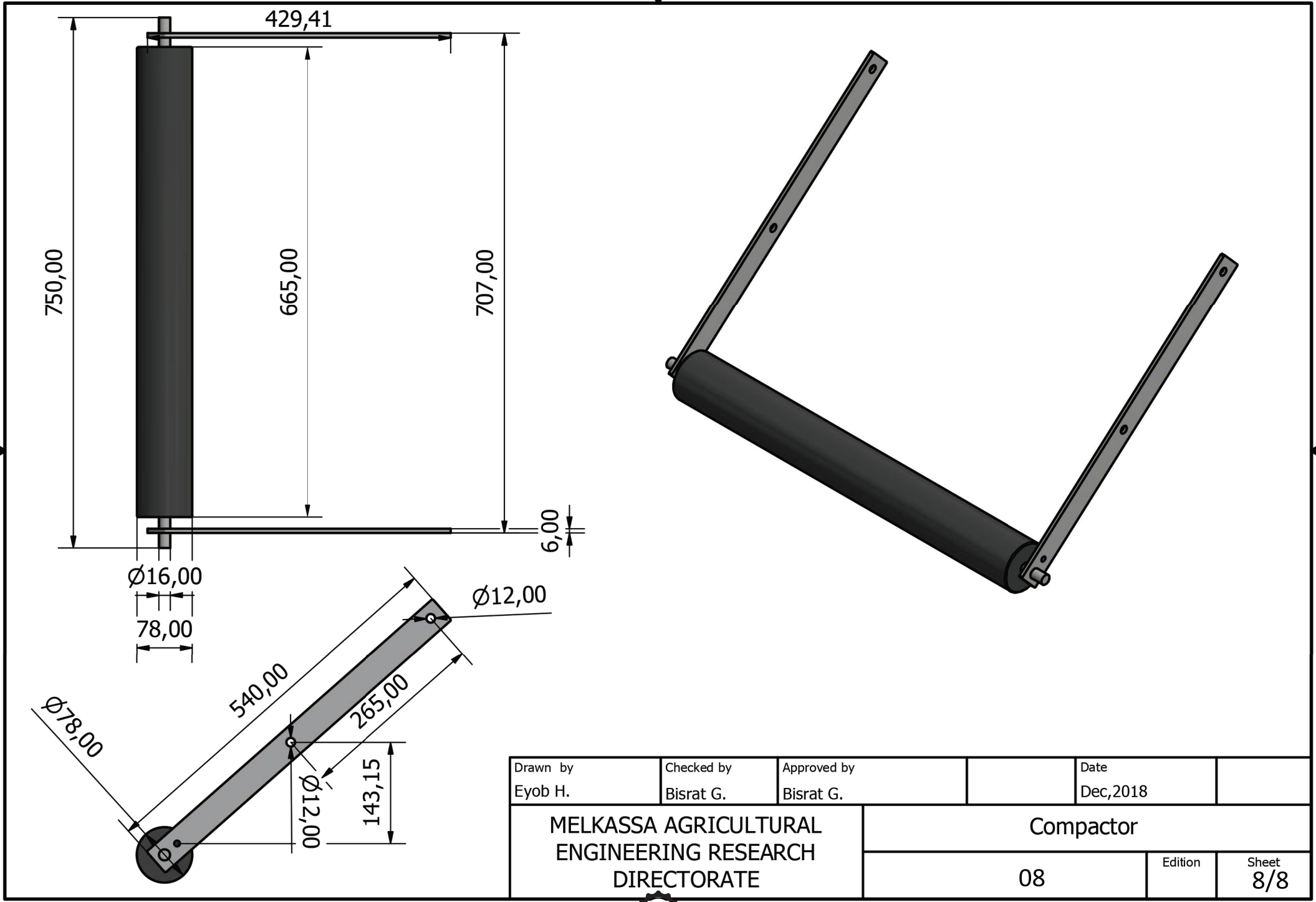




Drawn by Eyob H.	Checked by Bisrat G.	Approved by Bisrat G.	Date Dec,2018
MELKASSA AGRICULTURAL ENGINEERING RESEARCH DIRECTORATE		Furrow opener	
		06	Edition Sheet 6/8



Drawn by Eyob H.	Checked by Bisrat G.	Approved by Bisrat G.	Date Dec,2018
MELKASSA AGRICULTURAL ENGINEERING RESEARCH DIRECTORATE		Rotary Tiller	
		07	Edition Sheet 7/8



Drawn by Eyob H.	Checked by Bisrat G.	Approved by Bisrat G.	Date Dec,2018
MELKASSA AGRICULTURAL ENGINEERING RESEARCH DIRECTORATE		Compactor	
		08	Edition Sheet 8/8

**THESE DRAWINGS ARE AN OUTPUT OF THE FARM MECHANIZATION  
AND CONSERVATION AGRICULTURE FOR SUSTAINABLE  
INTENSIFICATION (FACASI) PROJECT**

FUNDED BY



Australian Government  
Australian Centre for  
International Agricultural Research

**giz** Deutsche Gesellschaft  
für Internationale  
Zusammenarbeit (GIZ) GmbH

JOINTLY IMPLEMENTED BY



**CIMMYT**<sub>MR</sub>  
International Maize and Wheat Improvement Center