

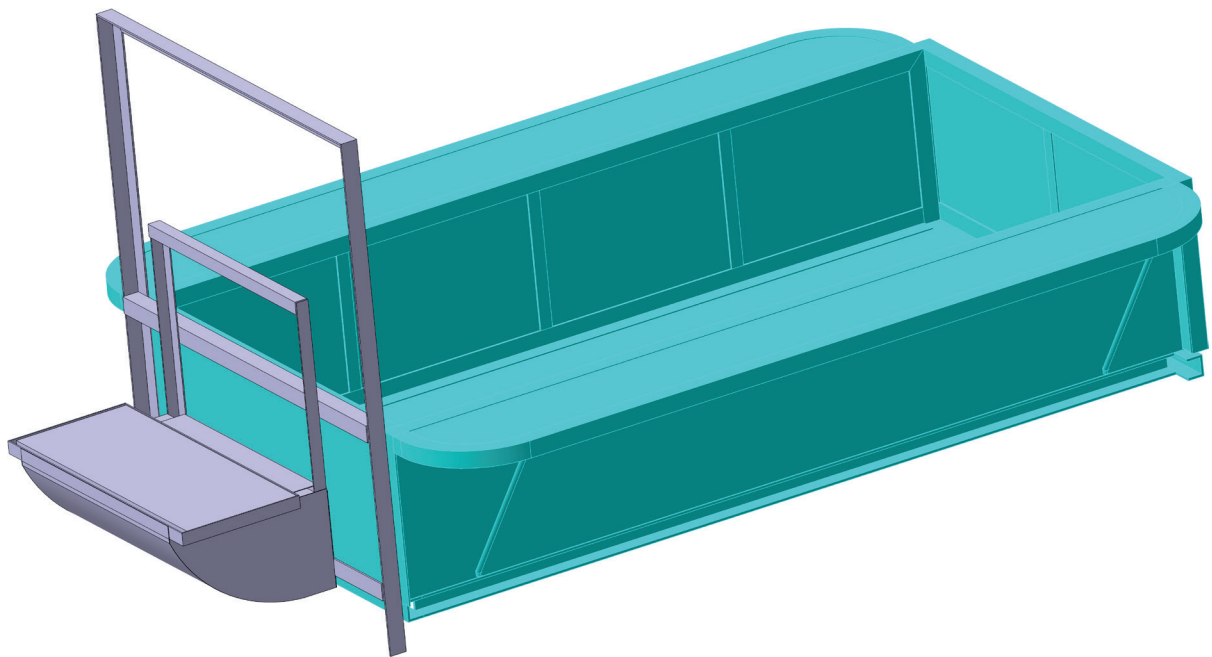


TRAILER

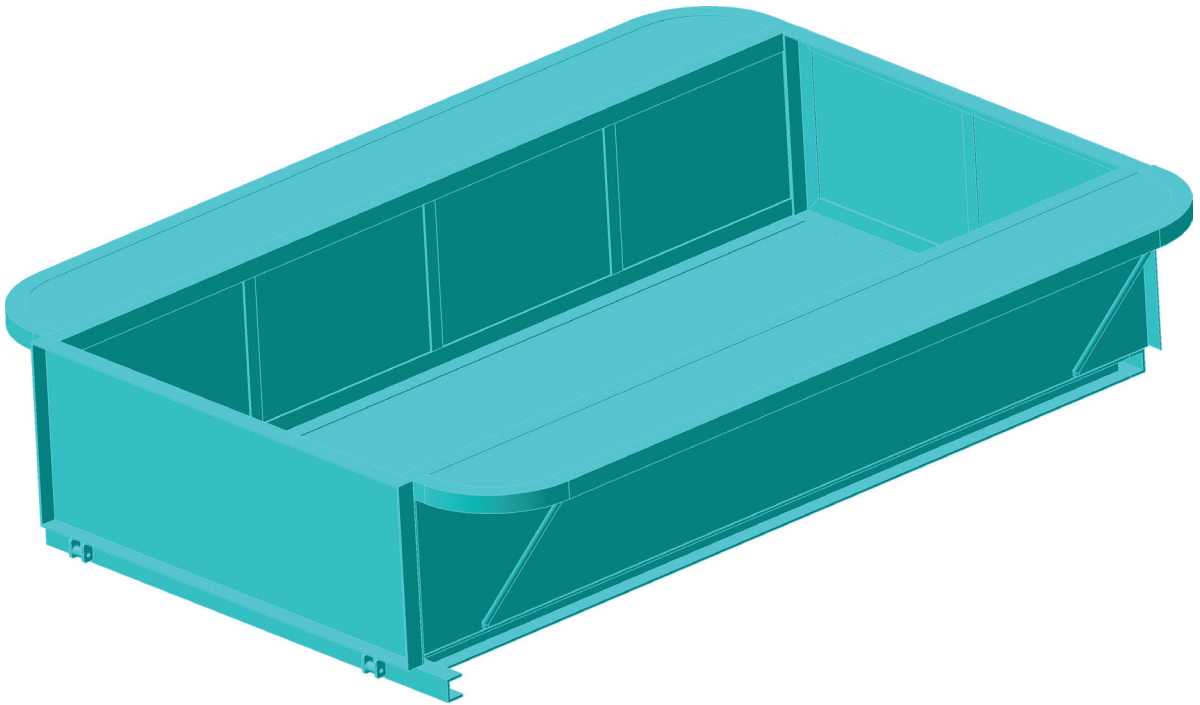
AUGUST 2019

ACKNOWLEDGEMENT

This manual was produced by the **Ethiopian Institute of Agricultural Research (EIAR)** and **The International Maize And Wheat Improvement Center (Cimmyt)** through the generous support of the **Australian Centre for International Agricultural Research (ACIAR)** and the **German Society for International Cooperation (GIZ)**. Any opinions, findings, conclusion, or recommendations expressed in this publication are those of the authors and do not necessarily reflect the view of ACIAR and GIZ.



Isometric view
Scale: 1:10



D

C

B

A

4

4

3

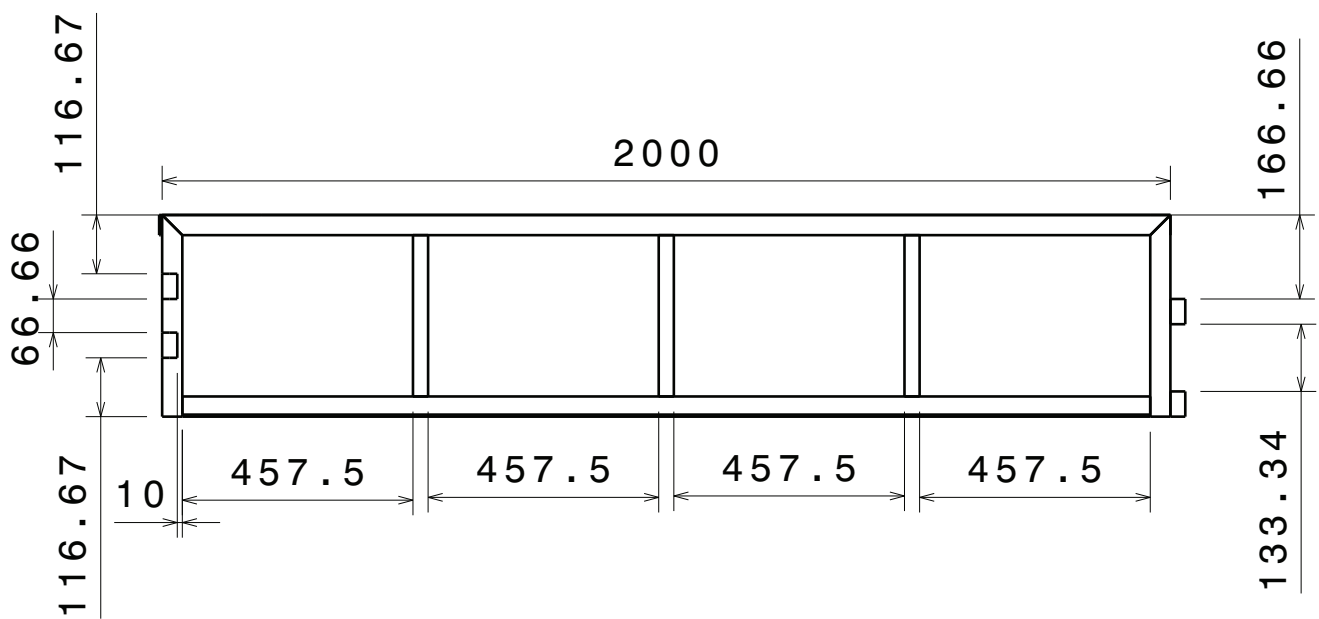
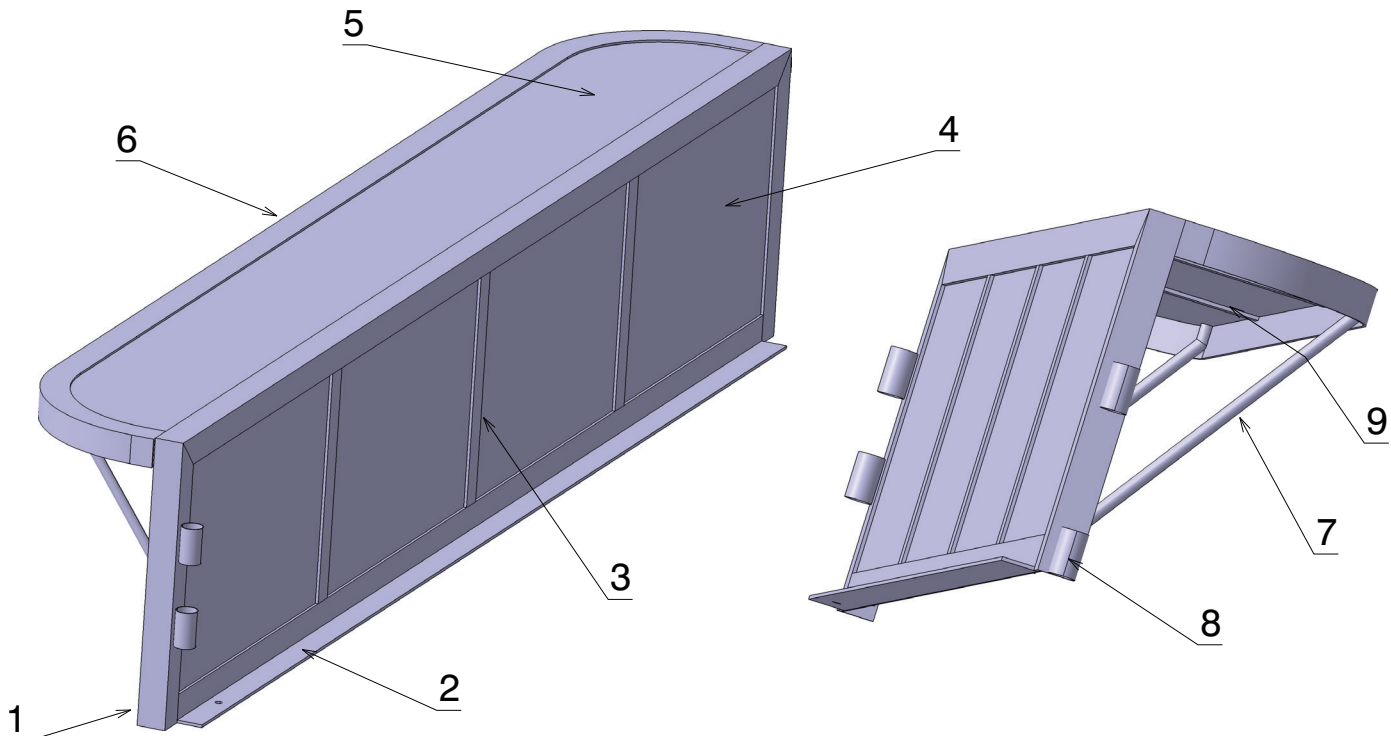
3

2

2

1

1



Material- MS All parts are symmetry with RSG except part 2 & 8 position		2W Tractor Trailer		
DRAWN BY Dereje Y. & Ahimede O.	DATE 6/05/2018	DRAWING TITLE Left Side Gaurd		
CHECKED BY Bisrat G.	DATE 6/23/2018	SIZE A4	DRAWING NUMBER LSG-3D	Dimension in mm
DESIGNED BY Ag. Eng. Research Directorate /AERD/		SCALE 1:1	WEIGHT (kg) 32.467	SHEET 1/2



D

A

D

C

B

A

4

4

40

4

1920

40

4

40

3

3

R5

4

20

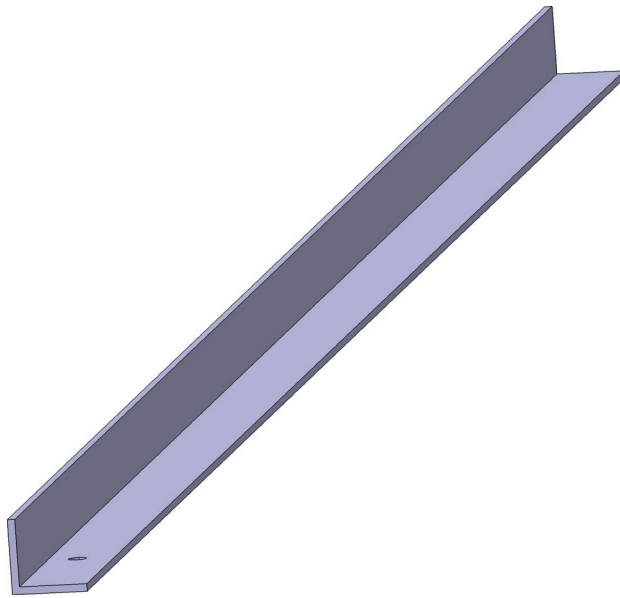
100

1920

40

2

2



1

1

Material- MS

2W Tractor Trailer

DRAWN BY

DATE

DRAWING TITLE

Dereje Y. & Ahimede O.

6/05/2018

Left Side Gaurd

CHECKED BY

DATE

SIZE

DRAWING NUMBER

Bisrat G.

6/23/2018

A4

LSG-part 2

Dimension
in mm

DESIGNED BY

Ag. Eng. Research Directorate
/AERD/

SCALE

1:1

WEIGHT(kg)

4.585

SHEET 2/2

D



A

D

C

B

A

4

4

3

3

2

2

1

1

4

8

1

3

2

38.84

932.32

400

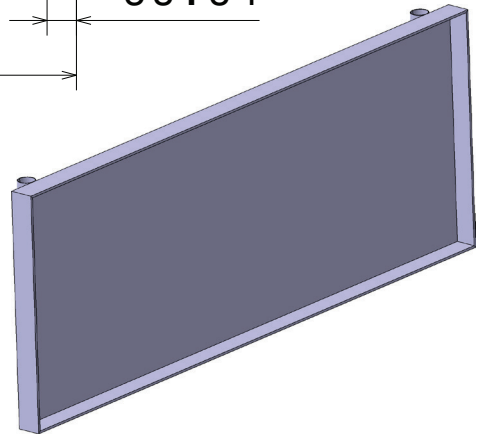
480

480

300

38.84

1070



Material- MS
 some parts are
 symmetry with RSG

2W Tractor Trailer

DRAWN BY

DATE

DRAWING TITLE

Dereje Y. & Ahimede O.

6/05/2018

Rear Side Gaurd

CHECKED BY

DATE

SIZE

DRAWING NUMBER

Bisrat G.

6/23/2018

A4

Rr SG-3D

Dimension
in mm

DESIGNED BY

Ag. Eng. Research Directorate
/AERD/

SCALE

1:1

WEIGHT(kg)

12.155

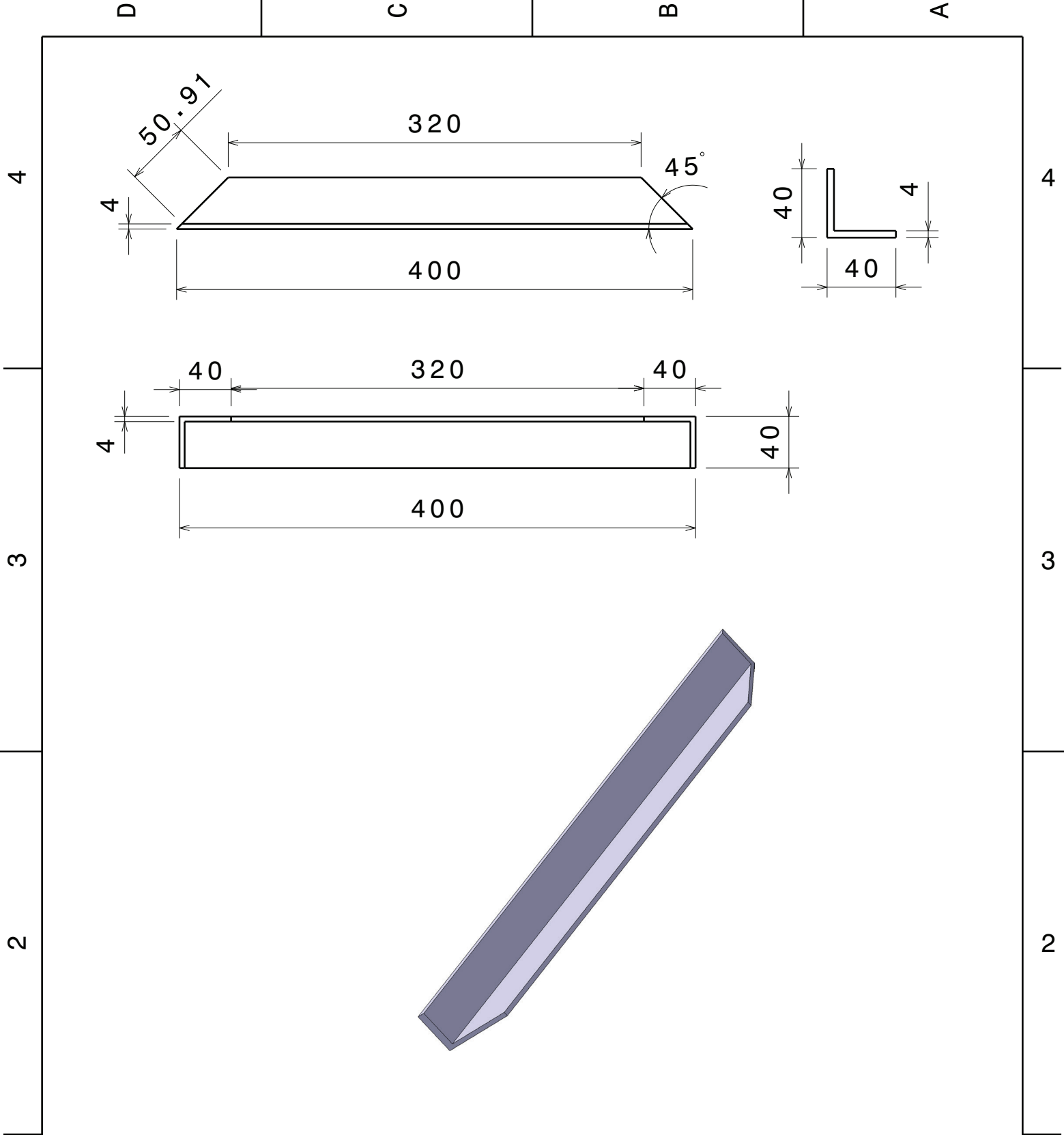
SHEET

1/4

D



A



Material- MS Qty- 4		2W Tractor Trailer		
DRAWN BY Dereje Y. & Ahimede O.	DATE 6/05/2018	DRAWING TITLE Rear Side Gaurd		
CHECKED BY Bisrat G.	DATE 6/23/2018	SIZE A4	DRAWING NUMBER Rr SG-part 1	Dimension in mm
DESIGNED BY Ag. Eng. Research Directorate /AERD/		SCALE 1:1	WEIGHT(kg) 0.901	SHEET 2/4



D

A

D

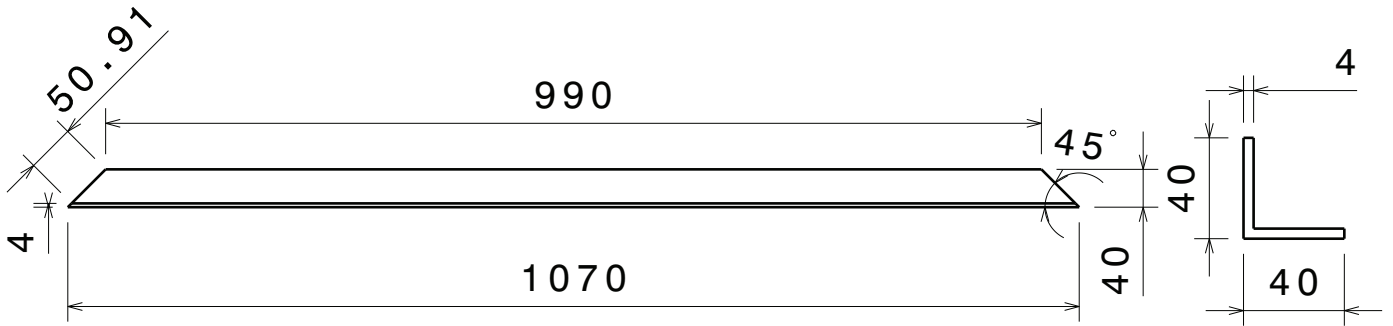
C

B

A

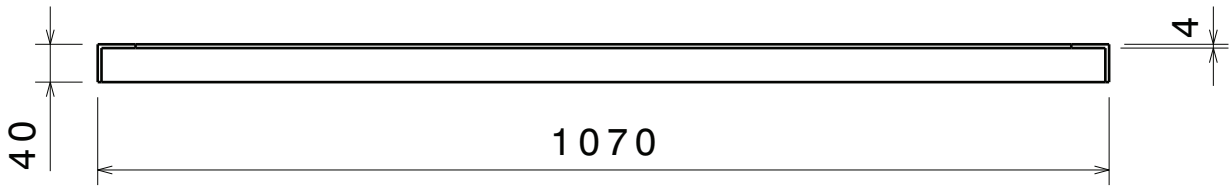
4

4



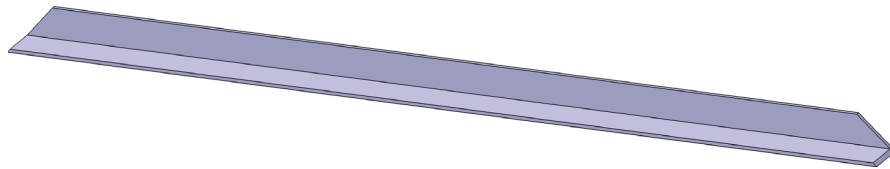
3

3



2

2



1

1

Material- MS Qty- 2		2W Tractor Trailer		
DRAWN BY Dereje Y. & Ahimede O.	DATE 6/05/2018	DRAWING TITLE Rear Side Gaurd		
CHECKED BY Bisrat G.	DATE 6/23/2018	SIZE A4	DRAWING NUMBER Rr SG-part 2	Dimension in mm
DESIGNED BY Ag. Eng. Research Directorate /AERD/		SCALE 1:1	WEIGHT(kg) 2.502	SHEET 3/4

D



A

D

C

B

A

4

4

392

392

1062

1.5

3

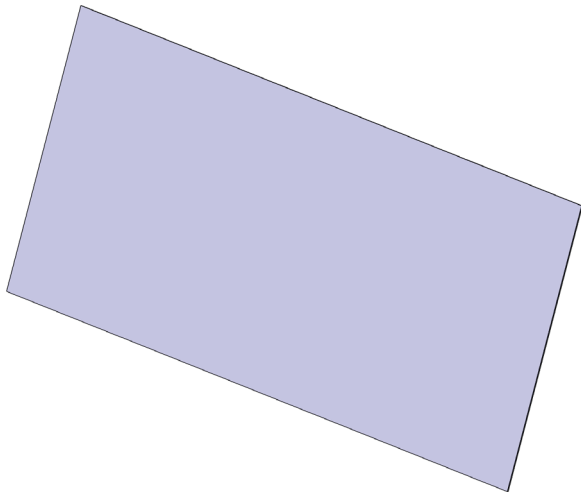
3

1062

1.5

2

2



Material- MS Qty- 1		2W Tractor Trailer			
DRAWN BY Dereje Y. & Ahimede O.		DATE 6/05/2018		DRAWING TITLE Rear Side Gaurd	
CHECKED BY Bisrat G.		DATE 6/23/2018		DRAWING NUMBER Rr SG-part 4	
DESIGNED BY Ag. Eng. Research Directorate /AERD/		SCALE 1:1		WEIGHT(kg) 2.502	
				Dimension in mm SHEET 4/4	

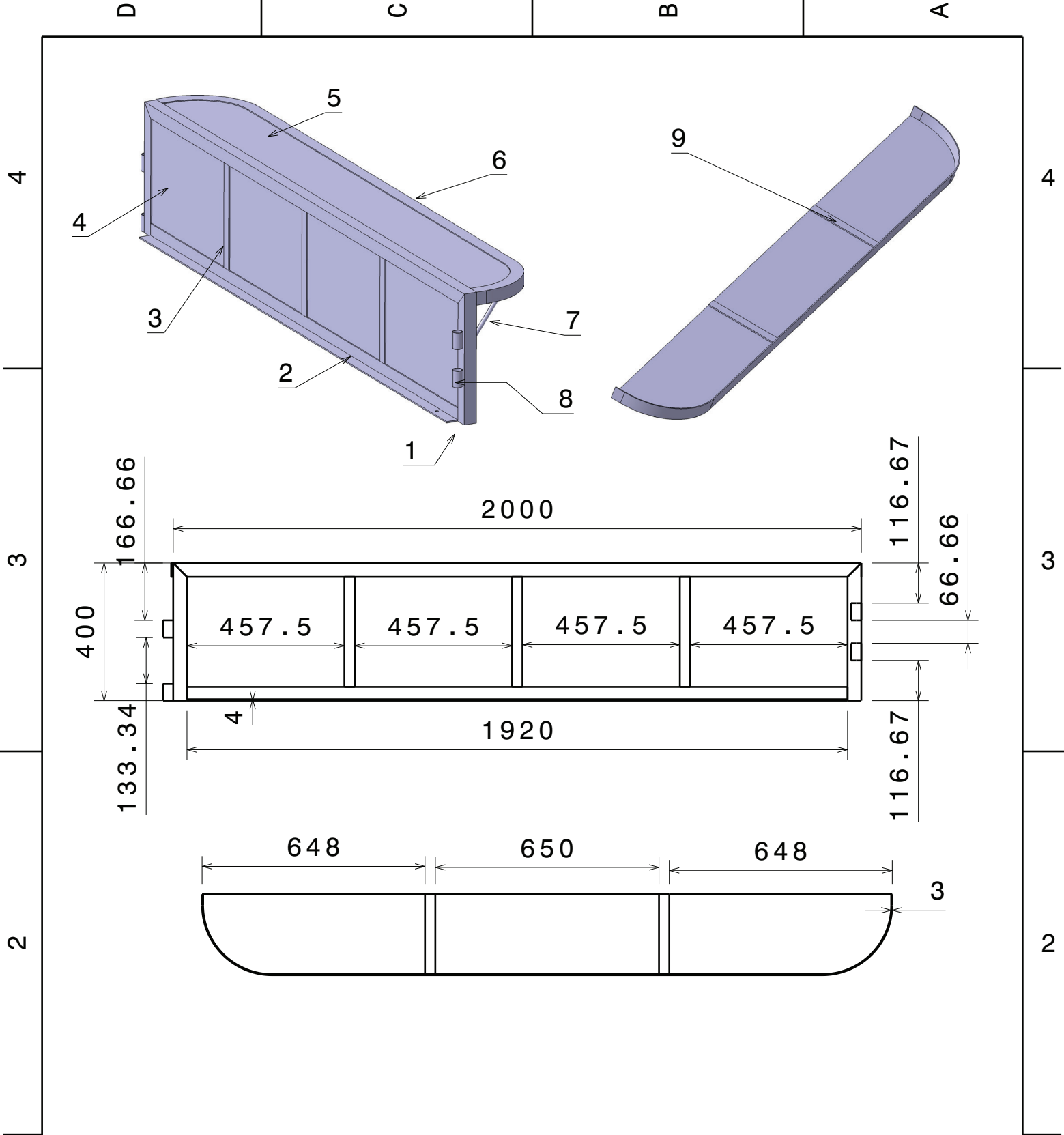
1

1

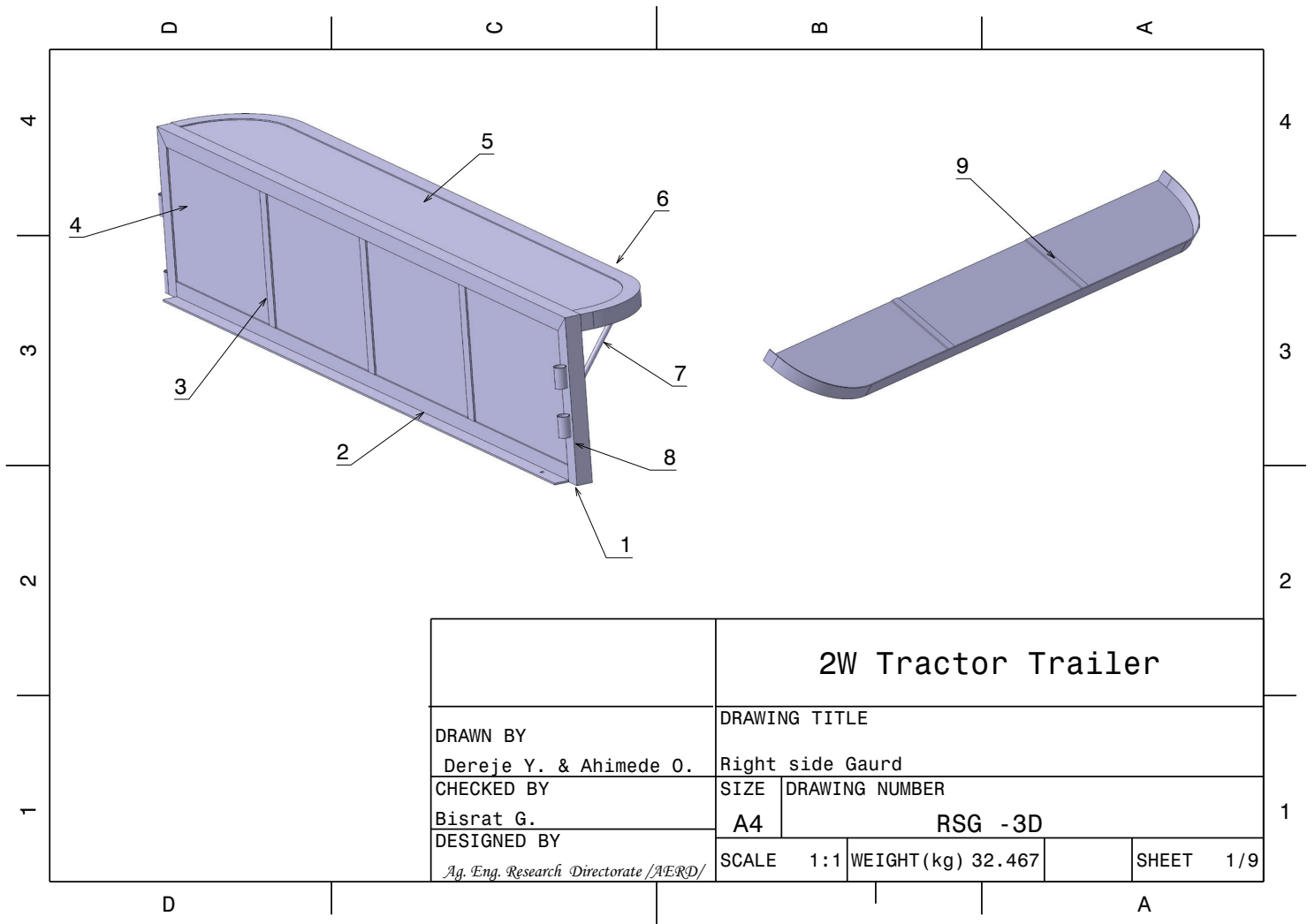
D

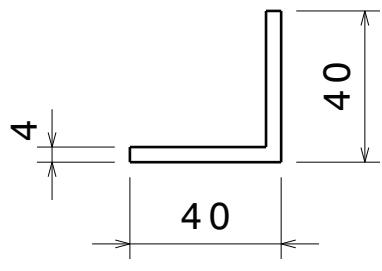
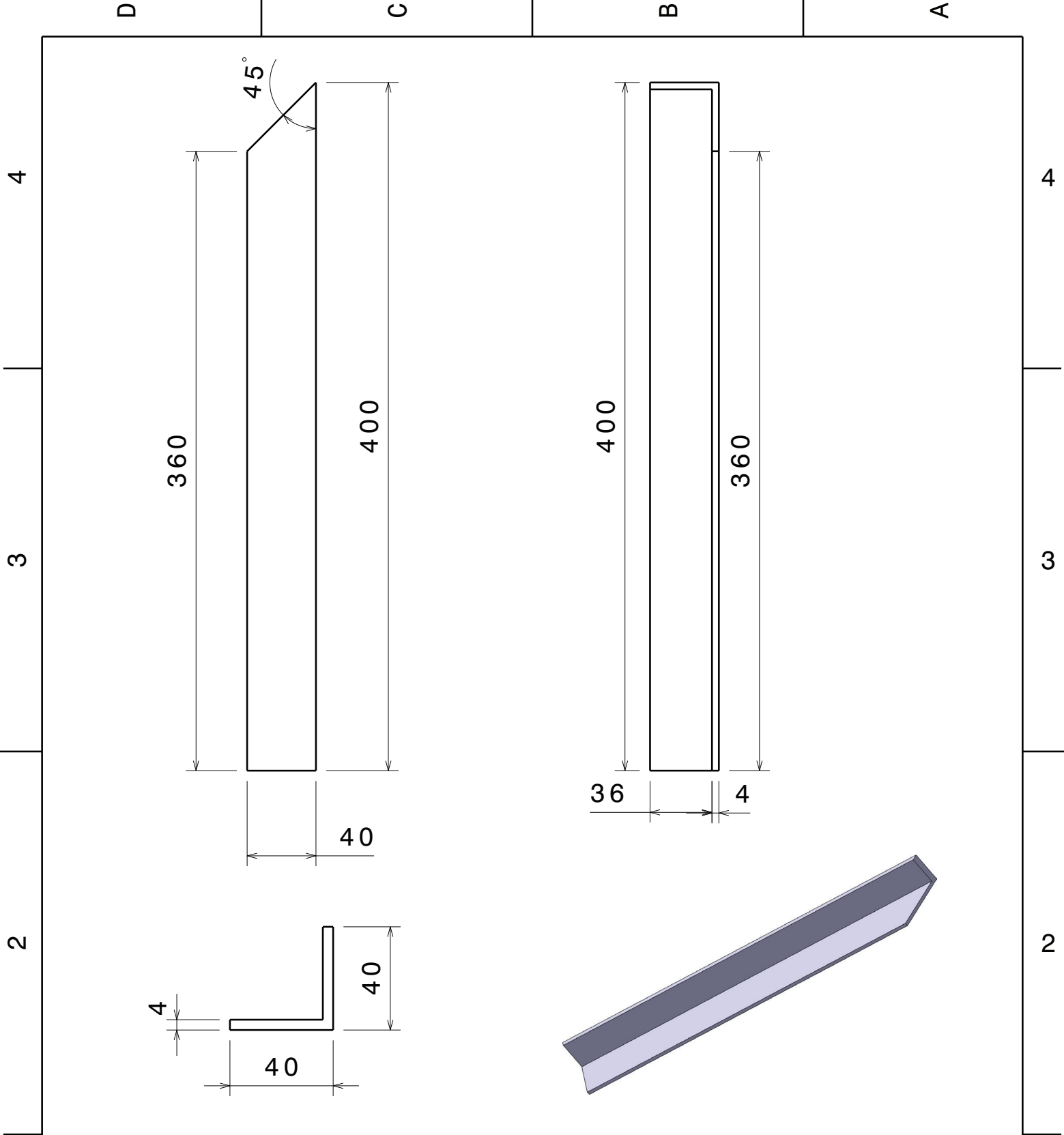


A



Material- MS		2W Tractor Trailer		
DRAWN BY Dereje Y. & Ahimede O.	DATE 6/05/2018	DRAWING TITLE Right Side Gaurd		
CHECKED BY Bisrat G.	DATE 6/23/2018	SIZE A4	DRAWING NUMBER RSG-3D	Dimension in mm
DESIGNED BY Ag. Eng. Research Directorate /AERD/		SCALE 1:1	WEIGHT(kg) 32.467	SHEET 1/9





Material- MS Qty- 4		2W Tractor Trailer		
DRAWN BY Dereje Y. & Ahimede O.	DATE 6/05/2018	DRAWING TITLE Right Side Gaurd		
CHECKED BY Bisrat G.	DATE 6/23/2018	SIZE A4	DRAWING NUMBER RSG-part 1	Dimension in mm
DESIGNED BY Ag. Eng. Research Directorate /AERD/		SCALE 1:1	WEIGHT(kg) 0.928	SHEET 2/9



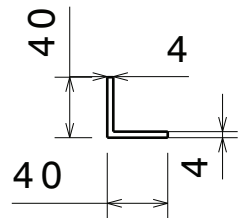
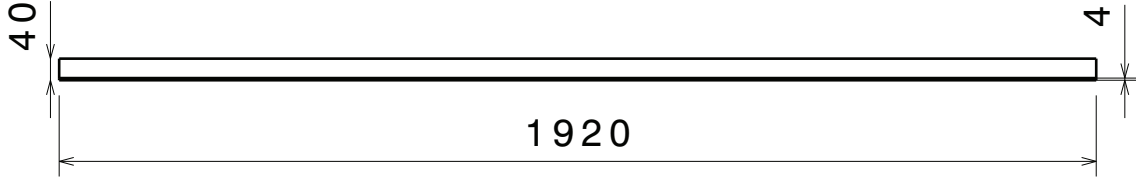
D

C

B

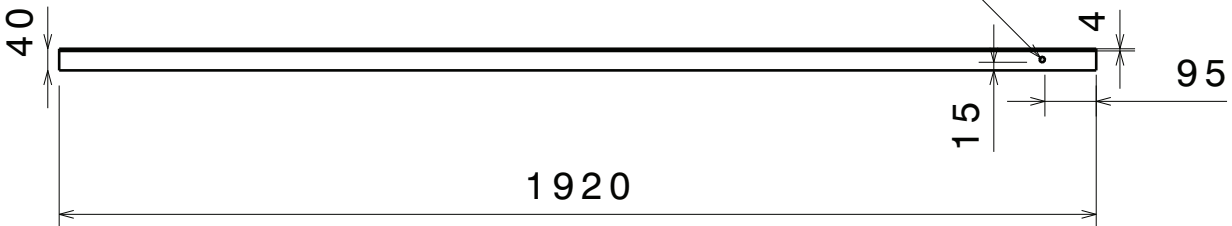
A

4



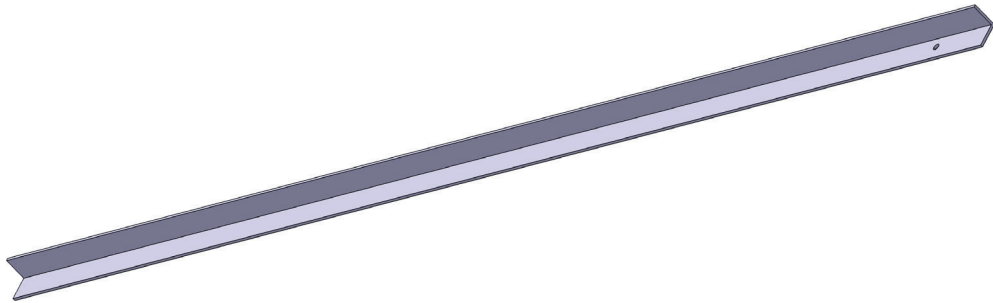
4

3



3

2



2

Material- MS Qty- 1	2W Tractor Trailer		
------------------------	--------------------	--	--

DRAWN BY Dereje Y. & Ahimede O.	DATE 6/05/2018	DRAWING TITLE Right Side Gaurd		
CHECKED BY Bisrat G.	DATE 6/23/2018	SIZE A4	DRAWING NUMBER RSG-part 2	Dimension in mm
DESIGNED BY Ag. Eng. Research Directorate /AERD/		SCALE 1:1	WEIGHT(kg) 4.585	SHEET 3/9

1

D



A

D

C

B

A

4

4

3

3

2

2

1

1

320

30

4

30

320

4

2W Tractor Trailer

Material- MS
Qty- 8

DRAWN BY

Dereje Y. & Ahimede O.

DATE

6/05/2018

DRAWING TITLE

Right Side Gaurd

CHECKED BY

Bisrat G.

DATE

6/23/2018

SIZE

A4

DRAWING NUMBER

RSG-3D

Dimension
in mm

DESIGNED BY

Ag. Eng. Research Directorate
/AERD/

SCALE

1:1

WEIGHT(kg)

0.302

SHEET

4/9



D

A

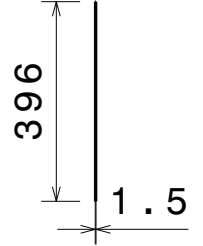
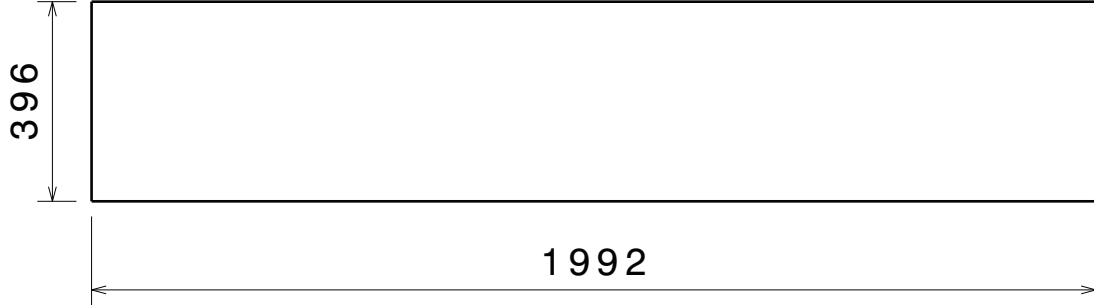
D

C

B

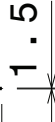
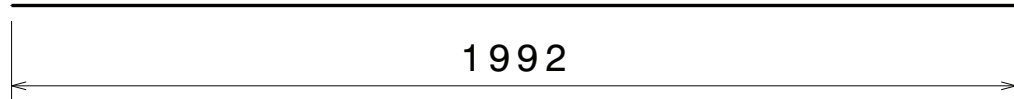
A

4



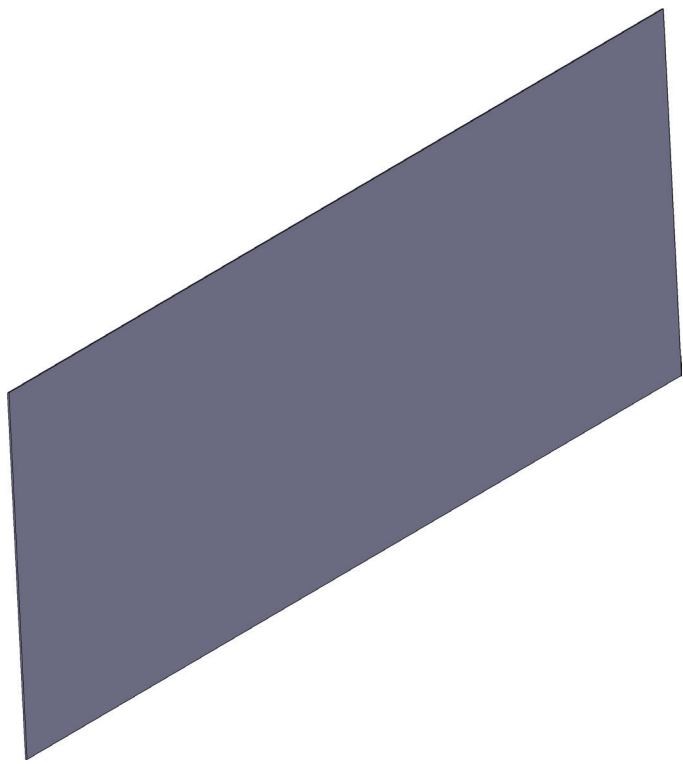
4

3



3

2



2

Material- MS
Qty- 2

2W Tractor Trailer

DRAWN BY
Dereje Y. & Ahimede O.

DATE
6/05/2018

DRAWING TITLE
Right Side Gaurd

CHECKED BY
Bisrat G.

DATE
6/23/2018

SIZE
A4

DRAWING NUMBER
RSG-part 4

Dimension
in mm

DESIGNED BY
Ag. Eng. Research Directorate
/AERD/

SCALE 1:1

WEIGHT(kg) 9.3

SHEET 5/9

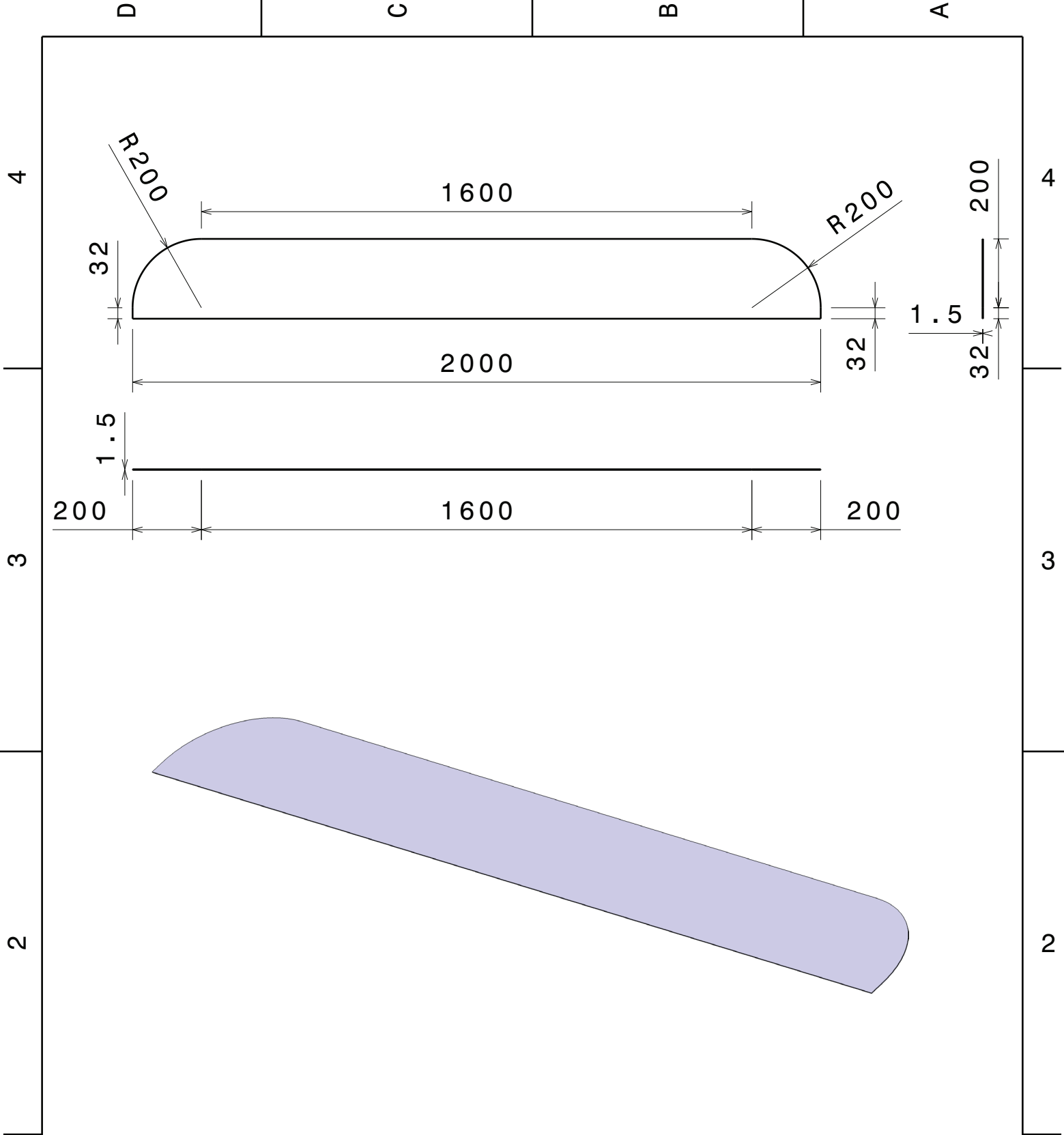
1

1

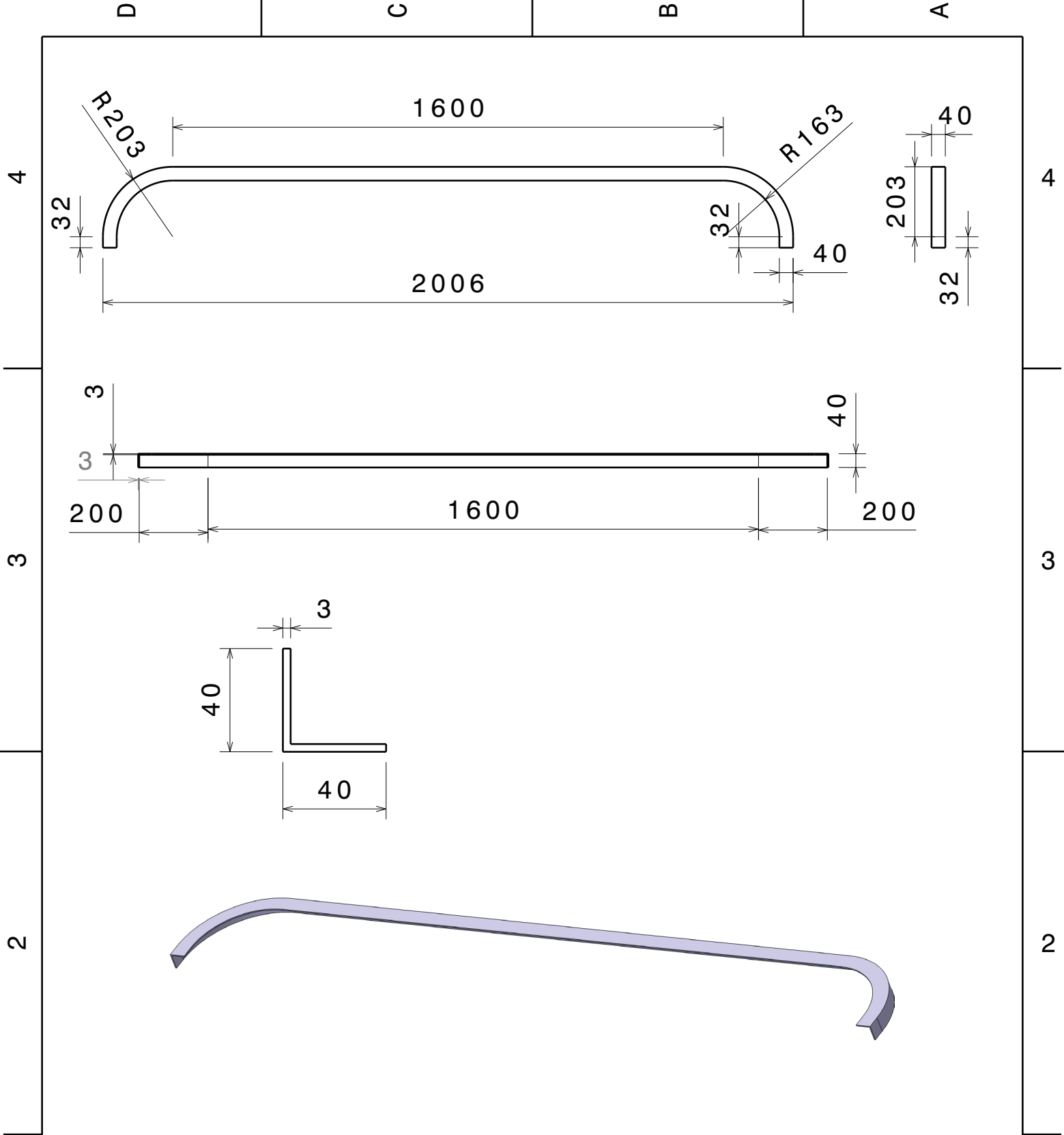
D



A



Material- MS Qty- 2		2W Tractor Trailer		
DRAWN BY Dereje Y. & Ahimede O.		DATE 6/05/2018		DRAWING TITLE Right Side Gaurd
CHECKED BY Bisrat G.		DATE 6/23/2018		SIZE A4
DESIGNED BY Ag. Eng. Research Directorate /AERD/		SCALE 1:1		DRAWING NUMBER RSG-part 5
		WEIGHT(kg) 9.3		Dimension in mm SHEET 6/9



Material- MS Qty- 2		2W Tractor Trailer		
DRAWN BY Dereje Y. & Ahimede O.	DATE 6/05/2018	DRAWING TITLE Right Side Gaurd		
CHECKED BY Bisrat G.	DATE 6/23/2018	SIZE A4	DRAWING NUMBER RSG-part 6	Dimension in mm
DESIGNED BY Ag. Eng. Research Directorate /AERD/		SCALE 1:1	WEIGHT(kg) 4.116	SHEET 7/9

D

C

B

A

4

4

3

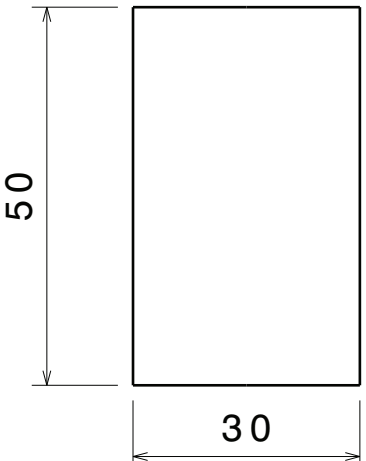
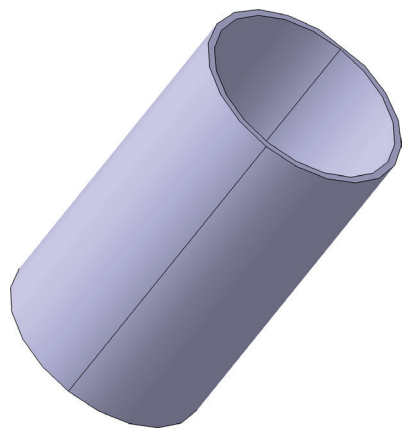
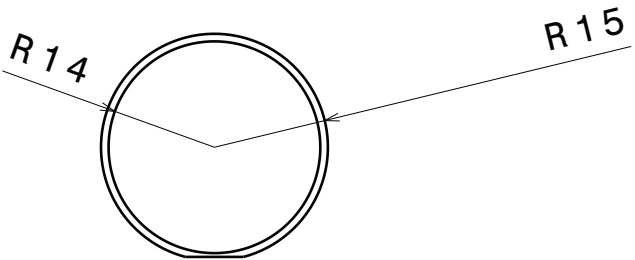
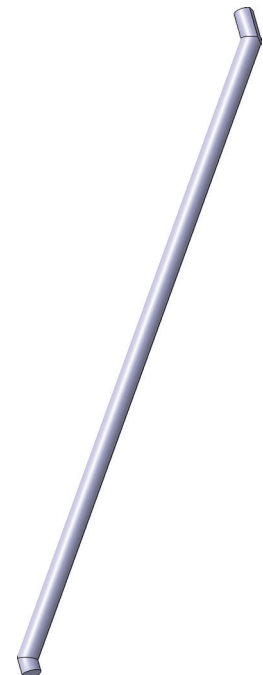
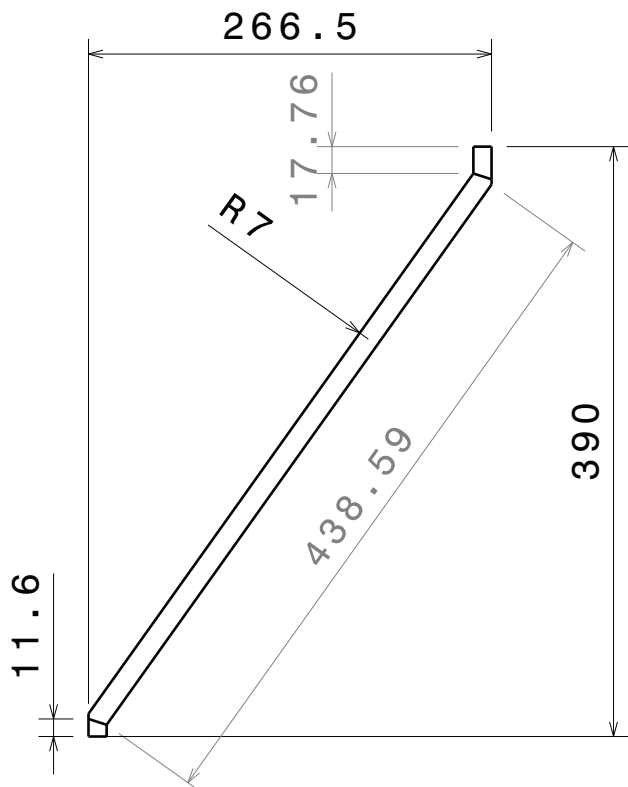
3

2

2

1

1



Material- MS Qty-8 & 16 resp.		2W Tractor Trailer		
DRAWN BY Dereje Y. & Ahimede O.	DATE 6/05/2018	DRAWING TITLE Right Side Gaurd		
CHECKED BY Bisrat G.	DATE 6/23/2018	SIZE A4	DRAWING NUMBER RSG-part 7 & part 8	Dimension in mm
DESIGNED BY Ag. Eng. Research Directorate /AERD/		SCALE 1:1	WEIGHT(kg) 0.567 & 0.035	SHEET 8/9

D

A

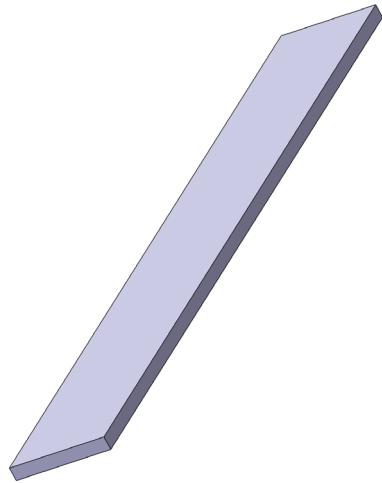
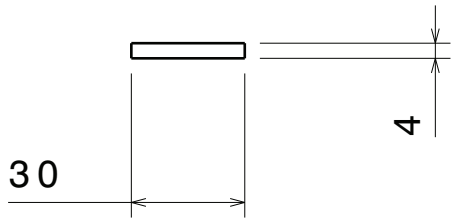
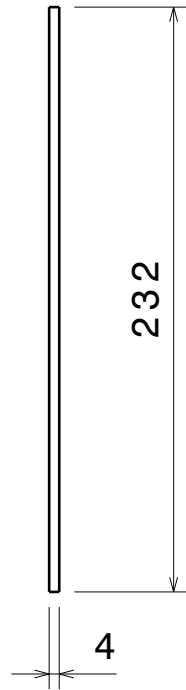
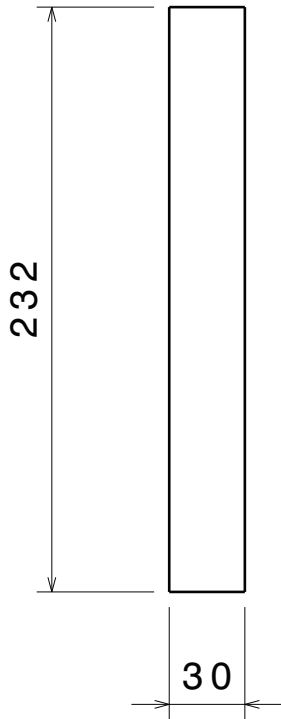
D

C

B

A

4



4

3

2

3

2

Material- MS Qty- 4		2W Tractor Trailer		
DRAWN BY Dereje Y. & Ahimede O.	DATE 6/05/2018	DRAWING TITLE Right Side Gaurd		
CHECKED BY Bisrat G.	DATE 6/23/2018	SIZE A4	DRAWING NUMBER RSG-part 8	Dimension in mm
DESIGNED BY Ag. Eng. Research Directorate /AERD/		SCALE 1:1	WEIGHT(kg) 0.219	SHEET 9/9

1

D



A

D

C

B

A

4

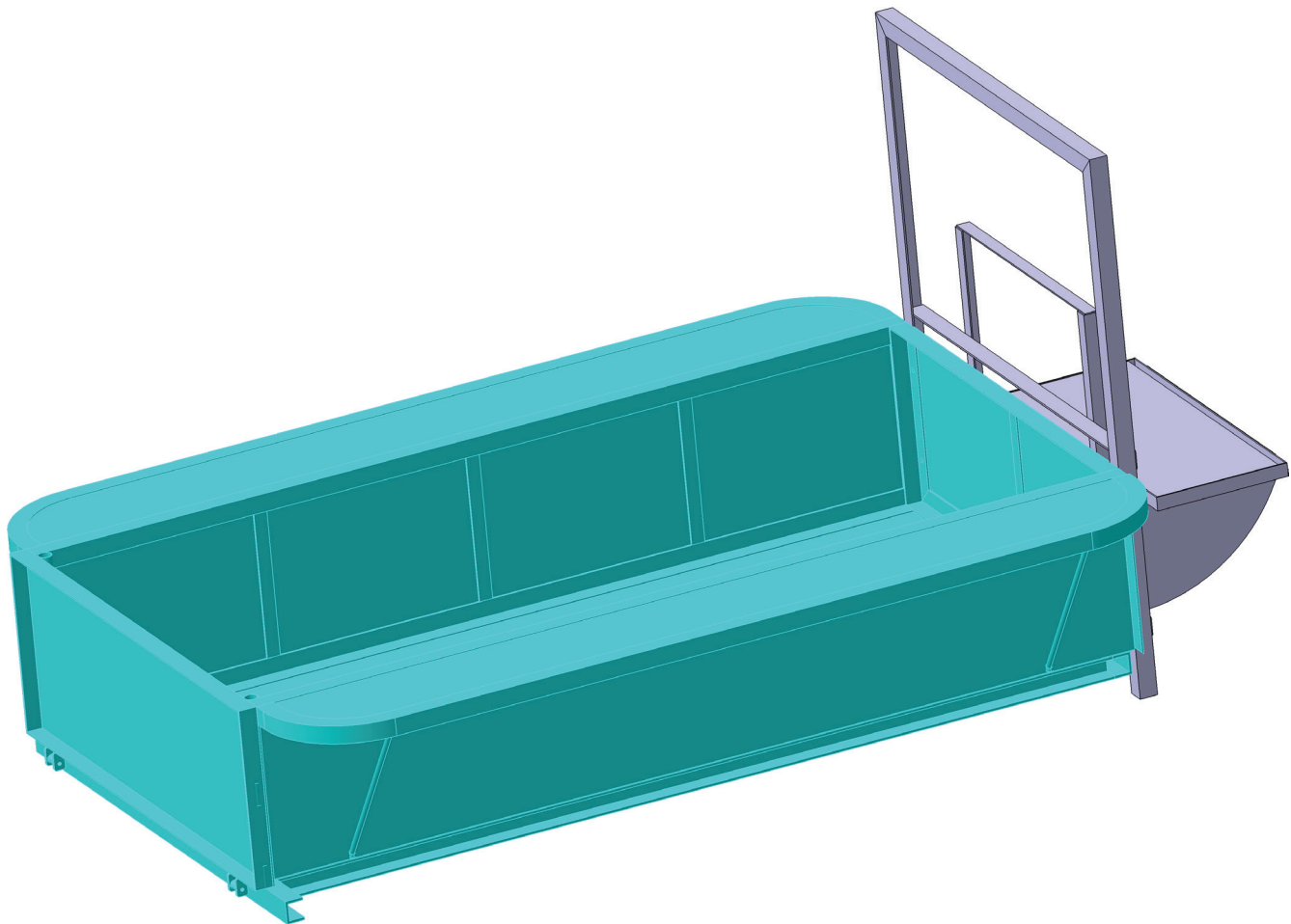
4

3

3

2

2



Material- MS

2W Tractor Trailer

DRAWN BY

DATE

DRAWING TITLE

Dereje Y. & Ahimede O.

6/05/2018

Trailer 3D

CHECKED BY

DATE

SIZE

DRAWING NUMBER

Bisrat G.

6/23/2018

A4

3D

Dimension
in mm

DESIGNED BY

Ag. Eng. Research Directorate
/AERD/

SCALE

1:1

WEIGHT(kg)

233.45

SHEET

1/1

D

18

A

1

1

**THESE DRAWINGS ARE AN OUTPUT OF THE FARM MECHANIZATION
AND CONSERVATION AGRICULTURE FOR SUSTAINABLE
INTENSIFICATION (FACASI) PROJECT**

FUNDED BY



Australian Government
Australian Centre for
International Agricultural Research

giz Deutsche Gesellschaft
für Internationale
Zusammenarbeit (GIZ) GmbH

JOINTLY IMPLEMENTED BY



CIMMYT^{MR}
International Maize and Wheat Improvement Center